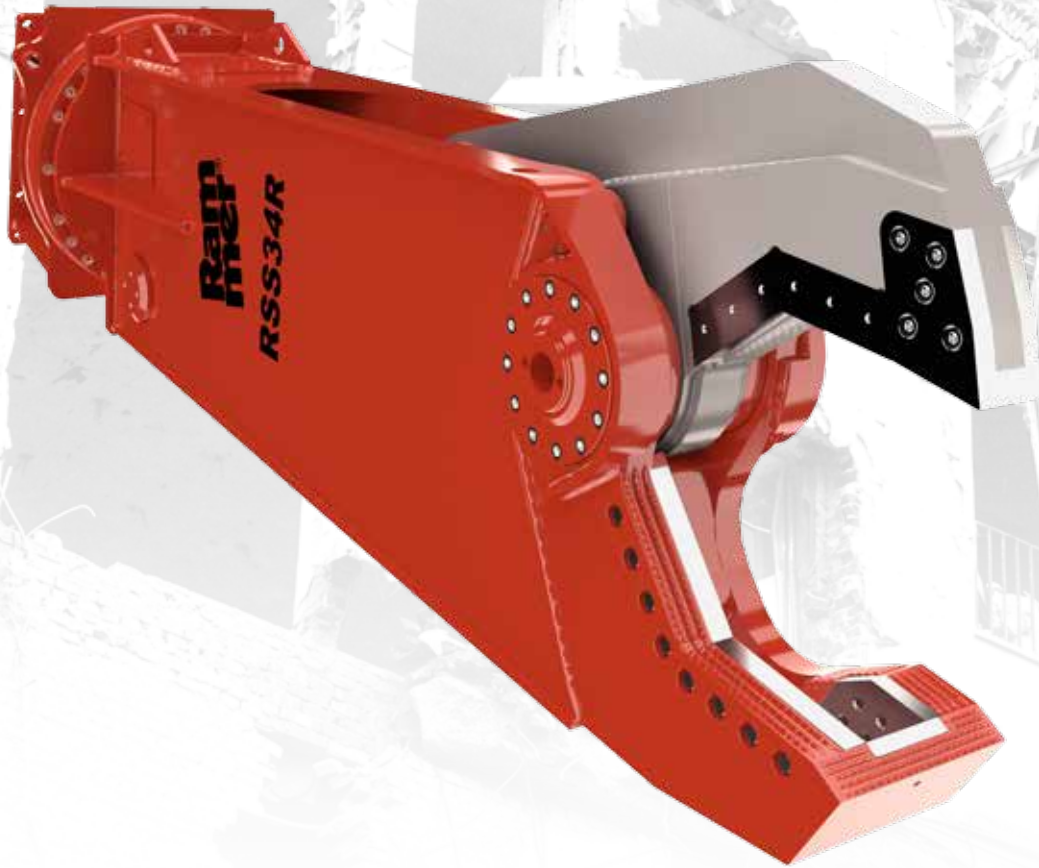


# RAMMER RSS34R SCRAP SHEAR



## HYDRAULIC ROTATION WITH PROTECTION VALVE

The protected rotation system allows precision tool placement, lowering/reducing owning and operating costs.

## BOLT ON, SYMMETRICAL CUTTER BLADES

Field replaceable and adjustable cutter blades minimize downtime and significantly increase the working life of wear parts

## SMART JAWS DESIGN FEATURING DOUBLE GUIDE

Avoids material to stuck between the jaws which increases productivity and cutting capacity

## SPEED VALVE

Shorter working cycles to increase productivity

## HYDRAULIC CYLINDER SHIELDING

The cylinders are fully protected throughout the working cycle. Increasing durability and extending service intervals.

## REPLACEABLE PEARCING TIP

A bolt on pearcing tip, removes the need for welding and rebuilding which lowers the cost of owning and operation.

## FIELD REPLACEABLE AND ADJUSTABLE CENTRAL PIN

Enables the operator to maintain the product on the site keeping cutting capacity on the maximum level.

## RSS SCRAP SHEARS

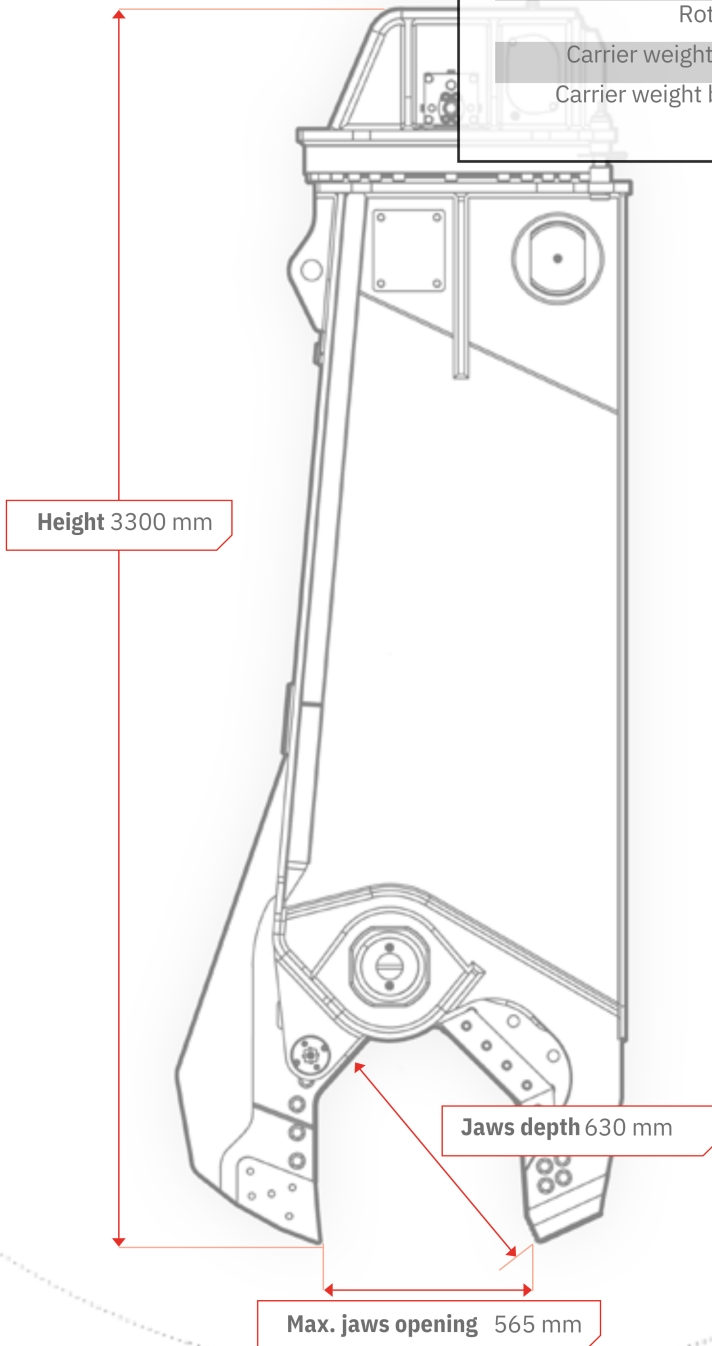
The RSS Scrap Shears can be used in every industrial demolition job involving the cutting and recovery of ferrous materials such as iron sections, pipes, tanks, railway carriages etc

**Ram  
mer**<sup>®</sup>

# RSS34R

## SPECIFICATIONS

Working weight, stick mounted, kg	3300
Working weight, boom mounted, kg	3400
Operating pressure, bar	320-350
Oil flow range, l/min	200-250
Rotation working pressure, bar	100-115
Rotation oil flow, l/min	30-40
Carrier weight stick mounted, ton	28-39
Carrier weight boom mounted, ton	20-28



**GROUND TEC**  
EQUIPMENT

**Sydney**  
Ground Tec Equipment  
16 Garema Cct, Kingsgrove NSW 2208

**Newcastle**  
Ground Tec Equipment  
27 Jura St, Heatherbrae NSW 2324

**Ram  
mer**<sup>®</sup>

Contact : 02 9642 2030 / breakers@groundtec.com.au