

RAMMER 9033E



EXCELLENCE LINE

FACTORY
INSTALLED
RD3 FOR
MYFLEET

RAMVALVE

HARD WEAR PLATES

RAMLUBE II (OPT.)

EASY IBP ADJUSTMENT

MEMBRANE TYPE
ACCUMULATOR

FBE (FIXED BLOW ENERGY)

DOUBLE TOOL RETAINING
PIN STRUCTURE

VIDAT TIE RODS

STROKE SELECTOR

HEAVY DUTY HOUSING

SIMPLE LOWER TOOL
BUSHING REPLACEMENT

SEPARATE GREASING
INTO LOWER AND
UPPER TOOL BUSHING

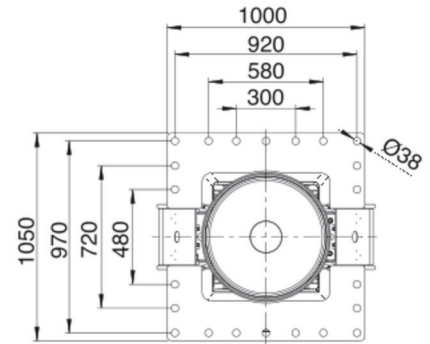
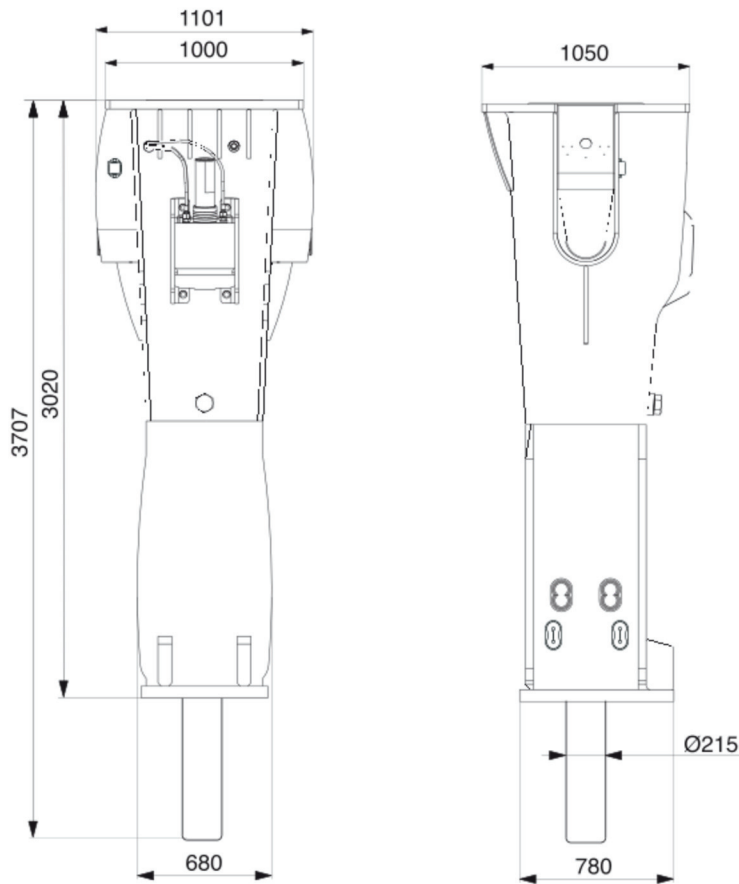
REFLECTIVE STICKERS

EXCELLENCE LINE HITS SMARTER

The Rammer Excellence Line is a set of state-of-the-art hydraulic hammers for all your rock breaking needs. All Excellence Line hammers now have integrated smart technology for easier fleet management and more efficient processes.

Read more about the product from
www.rammer.com/excellence

**Ram
mer**[®]



SPECIFICATIONS

Minimum working weight, kg (lb)	7400 (16310)
Impact rate, Long Stroke, bpm	300–520
Impact rate, Short Stroke, bpm	355–645
Operating pressure	170–180 (2465–2610)
Pressure relief, min bar (psi)	230 (3335)
Pressure relief, max bar (psi)	240 (3480)
Oil flow range, l/min (gal/min)	360–460 (95.1–121.5)
Back pressure, max bar (psi)	10 (145)
Input power, kW (hp)	138 (185)
Tool diameter, mm (in)	215 (8.46)
Carrier weight, allowed range, t (lb)	65–120 (143300–264600)
Noise level, measured sound power level, LWA, dB	127
Noise level, guaranteed sound power level, LWA, dB	131

TOOLS

Chisel	Moil point
Hard rock chisel	Pyramid
Limestone chisel	Blunt

PARTS

Service kit 1	Special tool grease
Service kit 2	Meissel paste

Specifications are subject to change without notice



Sydney
Ground Tec Equipment
16 Garema Cct, Kingsgrove NSW 2208

Newcastle
Ground Tec Equipment
27 Jura St, Heatherbrae NSW 2324



Contact : 02 9642 2030 / breakers@groundtec.com.au